

Merlin®

making magic

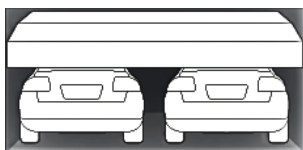


MJ3800

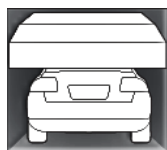
The Unique Alternative

This opener is installed directly to the torsion bar of the sectional door, leaving your garage ceiling clear for storage space or simply rail free for aesthetics. Super fast, quiet and feature packed with safety beams, deluxe wall control, auto close and connections for the optional battery back up included. This opener is an ideal choice for any sectional door up to 16.5m²

DOOR TYPES: for sectional garage doors up to 16.5m²



Double Sectional



Single Sectional

KEY BENEFITS:

Soft Start/Stop Function

The MJ3800 is equipped with Soft Start/Stop technology, designed to ensure smooth and quiet door operation.

Accessories Included

This opener features two hand-held mini transmitters deluxe wall control, IR Beams, solenoid lock and wireless wall button. Illustrations are provided in the 'Kit Contents' section. See the reverse page for some optional accessories.

Auto-close

Automatically closes door after a pre-determined delay time. Requires installation of IR Beams – supplied.

Additional safety feature

To ensure the highest level of safety possible the MJ3800 is supplied with a cable tension monitor which prevents the opener operating if the door's safety cable has insufficient tension.

Electric locking

For additional peace of mind this opener is supplied with a solenoid lock which automatically locks the door when it is closed and releases on activation.

Standard Merlin safety features

Automatic Safety Reverse

With its automatic safety function your garage door will stop and reverse automatically if obstructed going down or stop if obstructed going up.

Automatic Force Sensing

Equipped with automatic force sensing, with each operation the garage door opener monitors and adjusts the force needed to open your garage door.

Manual Release

In case of power failure you can simply activate the manual release to open your garage door.

Warranty

Backed by a full 2 year / 5,000 cycle unit warranty and 5 year /15,000 cycle motor warranty* we stand behind our products with an after sales support team and service that we believe to be the best in the industry. We can offer this warranty because of our global quality standards, manufacturing quality and continuous improvement processes.

*Conditions Apply

KIT CONTENTS:



1 x Powerhead



2 x Three channel key ring mini-transmitters C945



Wireless wall button CM128



Protector System safety beam sensors. C77



Deluxe wall control C845

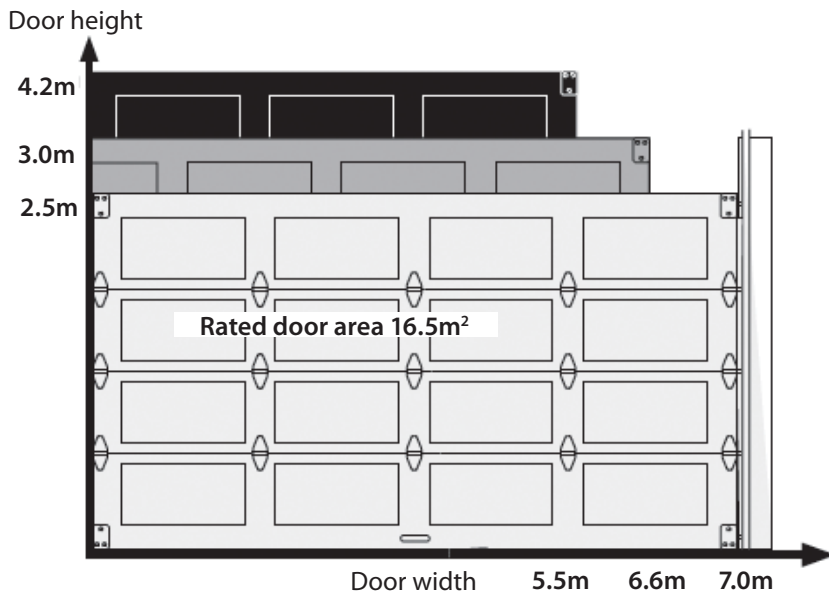


Cable Tension Monitor



Solenoid lock

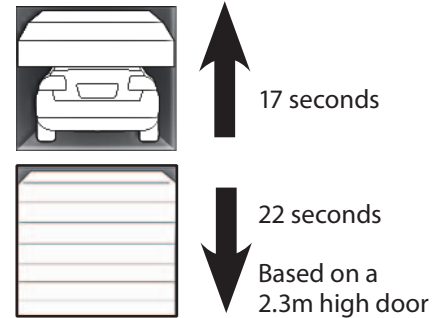




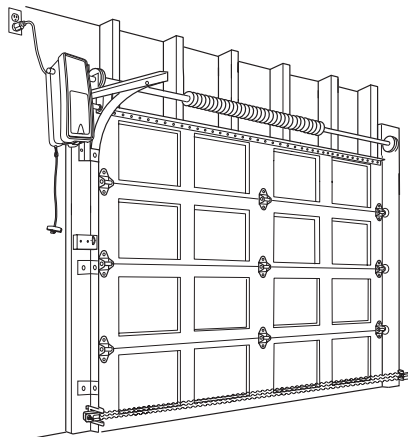
DOOR SPECIFICATIONS:

- Maximum lifting under spring tension—20 Kgs
- Suitable for steel and timber spring balanced doors
- Maximum lifting height 4.2m

DOOR OPENING AND CLOSING TIMES



TYPICAL INSTALLATION - SECTIONAL DOOR



SPECIFICATIONS:

- 24V DC motor with thermal overload protection
- Input voltage: 230/240V AC
- Rated door area: 16.5m²
- Pulling force: 600N
- 433.92 MHz AM radio with Chamberlain Peak Detect™ rolling code technology
- Up to 64 memory registers

OPTIONAL ACCESSORIES



Wall or visor mounted single channel transmitter.
C940



4 channel mini-transmitter.
CM844



Wireless open door monitor.
CLDM1ANZ



Evercharge standby power unit
CM475



Wireless Keypad.
C840

...making magic

Merlin is one of a group of brand names owned and managed by the Chamberlain Group, the world's largest manufacturer of garage door openers.

As a manufacturer of some of the world's most reliable and efficient products in our market, we are determined to build on our reputation as the industry leader by exceeding our customer's expectations, providing exceptional products and services.

Our preoccupation with quality not only applies to manufacturing. We insist on high performance standards in every aspect of our business, placing quality at the forefront of everything we do in the understanding that each of us is accountable for ensuring we achieve our quality objectives.

CHAMBERLAIN®

Chamberlain ANZ

Australia: T: 1800 638 234 F: 1800 888 121

New Zealand: T: 0800 653 667 F: 0800 653 663

E: sales@chamberlainanz.com W: go-merlin.com

™ Trademark of The Chamberlain Group, Inc.

® Registered Trademark of the Chamberlain Group, Inc.

© 2012 The Chamberlain Group, Inc.

M0412S018 Specifications are subject to change without prior notice.

